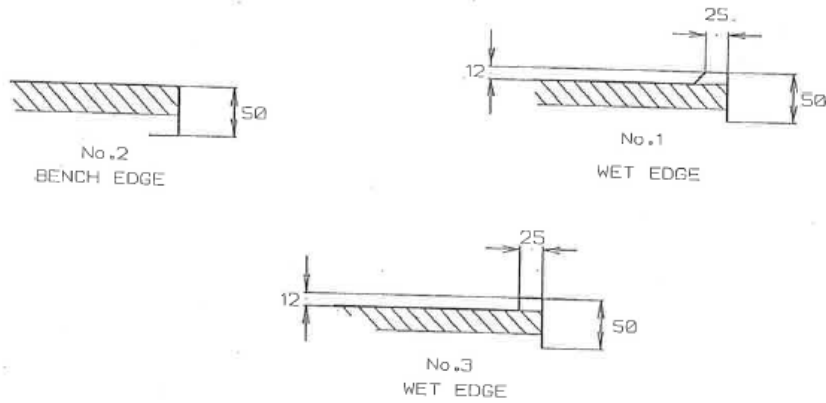


FRONT FASCIA & STANDARD UPSTANDS

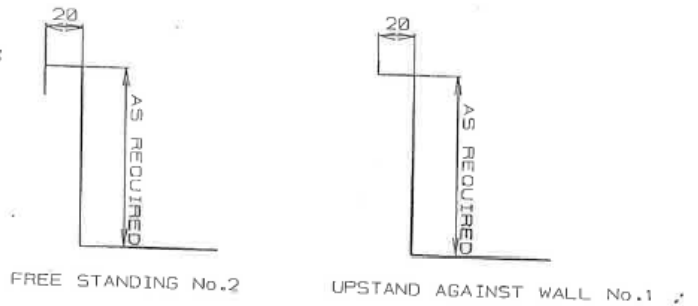
The following standard profiles are recommended for commercial, institutional and industrial stainless steel sink and drainer and bench top fabrications. Special sizes and profiles are available on request.

FRONT FASCIA DETAILS:



The stainless steel tops are generally supported by 18mm thick particle board or plywood and if open backed, i.e. supported on legs, these are undercoated with polyresin seal.

STANDARD UPSTANDS:



SOUTHERN CROSS
LASER & SHEET METAL

23-27 Clapham Road
Regents Park NSW 2143

Ph: 02 9644 2811
Email office@sclaser.org