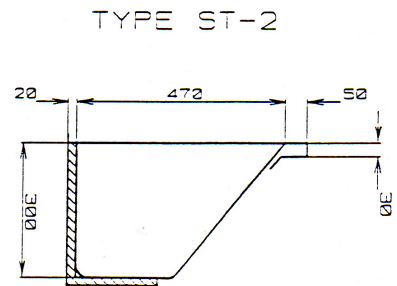
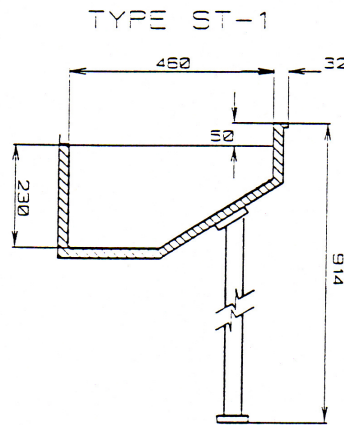


SCRUB UP TROUGHS

MODEL NO: MODEL SPSU/ST1 & ST2

TYPE ST-1 & ST2

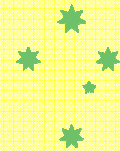
Fabricated in gauge 1.2mm grade 304 satin finish stainless steel. Single lengths as required to 2400mm, rear wall upstand made to nominated height, and tap holes cut to requirements The trough can be supported by cantilever wall brackets (or) support legs to floor.



TYPE ST-1 SYDNEY WATER BOARD
APPROVAL NO: 89/00573

TYPE ST-2 SYDNEY WATER BOARD
APPROVAL NO: 89/00574

DRAWING NO: SC36
04/05



SOUTHERN CROSS
LASER & SHEET METAL

23-27 Clapham Road
Regents Park NSW 2143

Ph: 02 9644 2811
Email office@sclaser.org