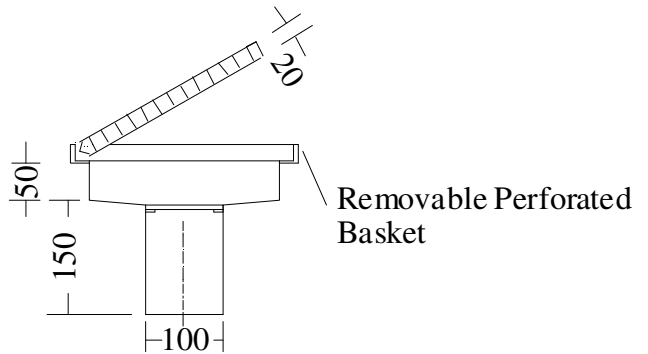
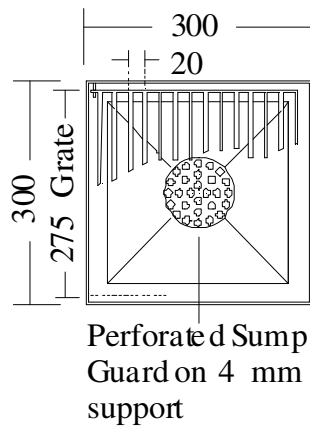
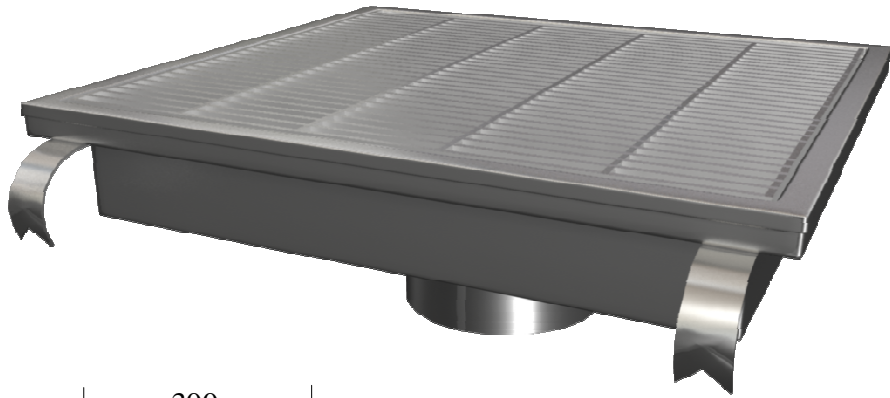


MURRAY FLOOR SUMP

MODEL NO: STMS
PRODUCT CODE: MS700I

300 x 300 x 75mm deep 2mm gauge, type 304 satin finish stainless steel floor sump. With 20mm deep x 5mm wide parallel bar grate . 100mm diameter spigot outlet with perforated cover cap.



Optional extra: MS7002— hinged grate

SYDNEY WATER BOARD APPROVAL
NO: 89/00558

DRAWING NO: SC19
05/05

SOUTHERN CROSS
LASER & SHEET METAL

23-27 Clapham Road
Regents Park NSW 2143

Ph: 02 9644 2811
Email office@sclaser.org