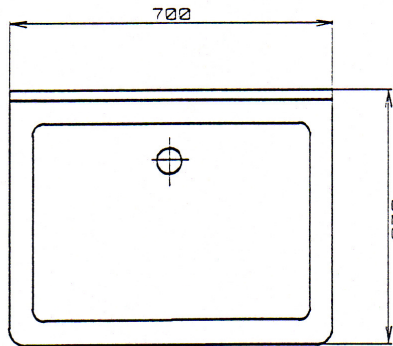


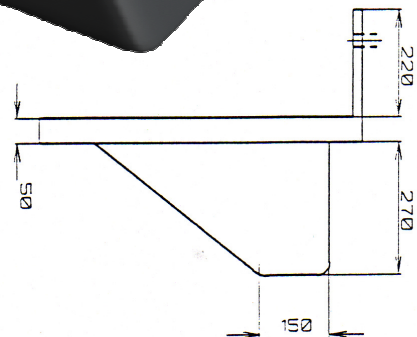
# SINGLE WASH STATION

MODEL NO: SPWS  
PRODUCT CODE: SW001

700mm x 520mm x 320mm deep 1.2mm grade 316 satin finish stainless steel with 220mm high rear splashback. 50mm plug and waste outlet. Supported by 25mm square section, satin finish stainless steel tubular cantilever brackets.

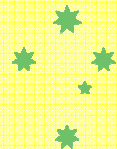


PLAN



SIDE VIEW

DRAWING NO: SC18  
04/05



SOUTHERN CROSS  
LASER & SHEET METAL

23-27 Clapham Road  
Regents Park NSW 2143

Ph: 02 9644 2811  
Email [office@sclaser.org](mailto:office@sclaser.org)