

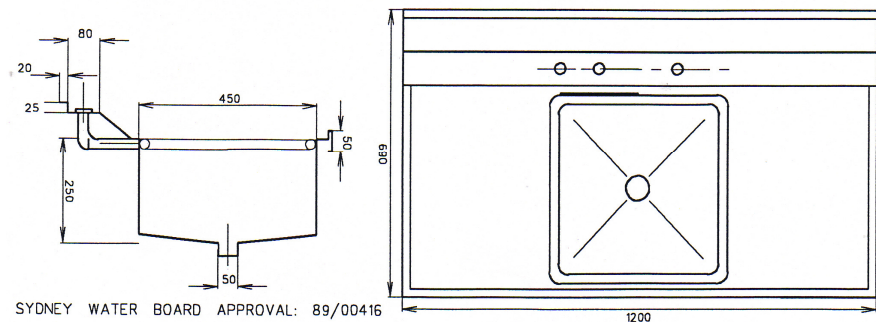
STANDARD FLUSHING SINK

MODEL NO: SPFS

Product code: FS1200—1200mm long
 Product code: FS1500—1500mm long
 Product code: FS1800—1800mm long

X long x 690mm wide x 1.2mm grade 304 satin finish stainless steel sink & drainer with 450 x 450 x 250mm deep flushing bowl diameter waste outlet. 25mm flushing inlet connection. Drainer backed with 19mm ply & polyresin sealed.

- The sink bowl has a flushing rim around the top edge so that when the flushing valve or cistern is activated the whole surface area of the bowl is flushed clean.



- it is recommended that these units be flushed by :
 - Low or mains pressure approved flushing valves, or overhead high level full flush cisterns with a minimum 9 litre flushing volume.
- The inlet connection is 25mm and can be supplied as top entry exposed or rear concealed.
- The standard waste outlet is 50mm diameter but can be supplied with a 100mm diameter outlet.
- 100mm diameter stainless steel P or S traps are available upon request
- Our flushing bowls can be fitted to architecturally detailed tops.

These sinks can also be fitted to custom made cupboards (other than Southern Cross Laser & Sheet Metal) or stainless steel tubular frame supports by Southern Cross Laser & Sheet Metal.


SOUTHERN CROSS
 LASER & SHEET METAL

**23-27 Clapham Road
Regents Park NSW 2143**

Ph: 02 9644 2811
 Email office@sclaser.org