

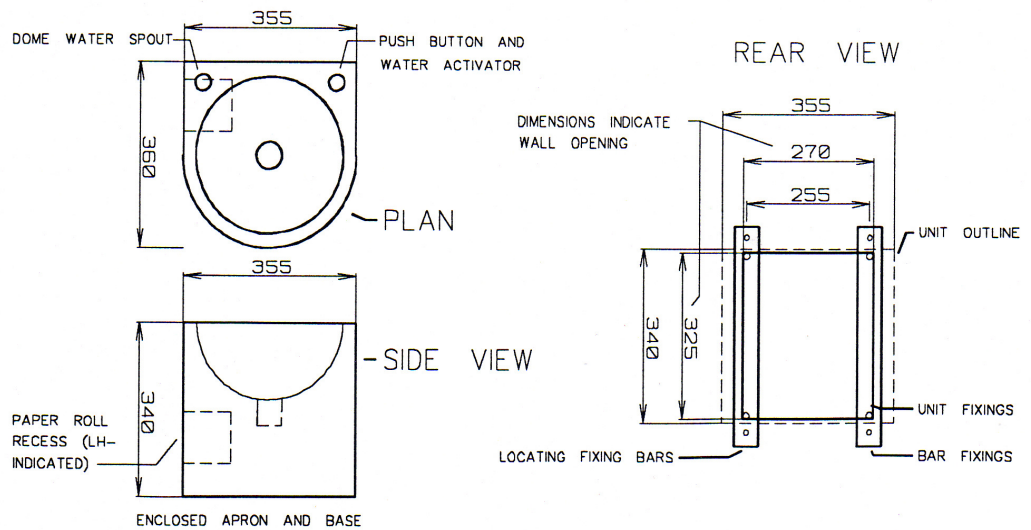
WALLFACE CELL BASIN

MODEL NO: SPCL-FB
PRODUCT CODE: FB3020

355 x 360 x 340mm x 2mm thick radius front, concealed apron, vandal proof, satin finish stainless steel basin. 38mm waste outlet, recessed toilet roll holder, 4 x 300mm long restraining bolts to 2 x 6mm thick stainless steel securing bars.

ALSO AVAILABLE as full pedestal to floor nominate with or without Southern Cross Laser & Sheet Metal (Enware) vandal proof fittings.

- i.e * Chrome plated domed water spout;
- * Push button & pressure adjustment supply valve
- * Time flow control valve.



SOUTHERN CROSS
LASER & SHEET METAL

23-27 Clapham Road
Regents Park NSW 2143

Ph: 02 9644 2811
Email office@sclaser.org