

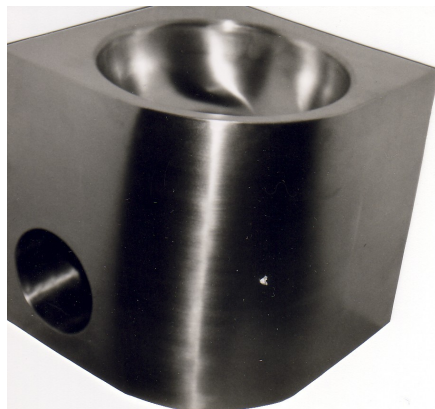
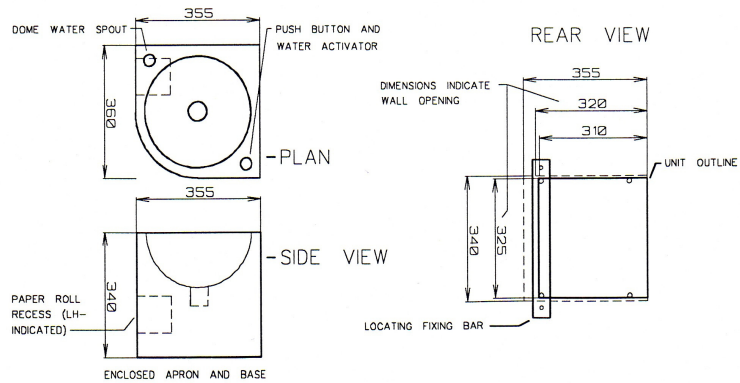
# WALLFACE CORNER CELL BASIN

MODEL NO: SPCL-CB  
PRODUCT CODE: CB3022

355 x 360 x 340mm x 2mm thick radius front, concealed apron, vandal proof, satin finish stainless steel basin. 38mm waste outlet, recessed toilet roll holder, 4 x 300mm long restraining bolts, to 2 x 6mm thick stainless steel securing bars.

ALSO AVAILABLE as full pedestal to floor nominated with or without S.C.Lasser(Enware) vandal proof fittings.

Chrome plated domed water spout.  
Push button and pressure adjustment supply valve.  
Time flow control valve.



DRAWING NO: SC11  
04/05

**SOUTHERN CROSS**  
LASER & SHEET METAL

23-27 Clapham Road  
Regents Park NSW 2143

Ph: 02 9644 2811  
Email [office@sclaser.org](mailto:office@sclaser.org)