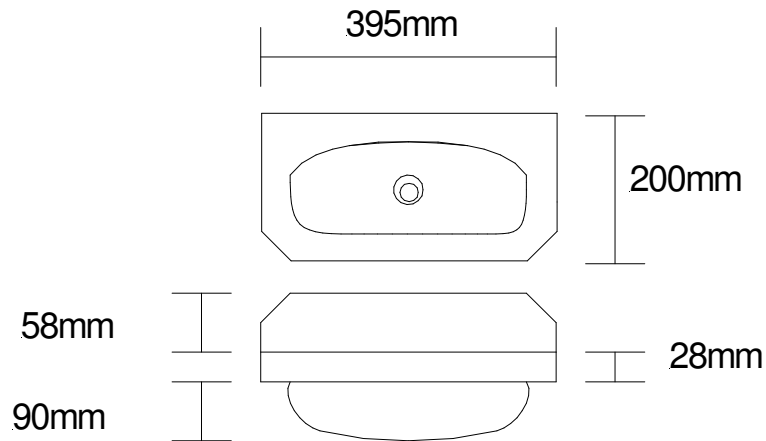
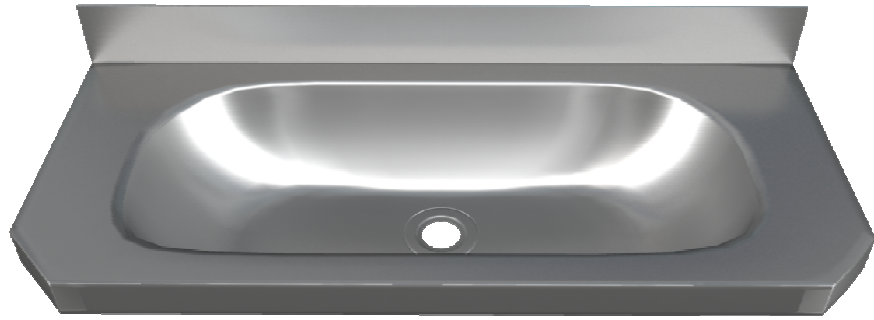


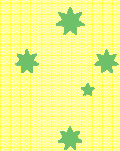
# COMPACT HAND WASH BASIN

MODEL NO: STHB  
PRODUCT CODE: WB3002



- 304 grade stainless steel
- Mitred safety corners
- 40mm plug & waste included
- Stainless steel support bracket included
- 1, 2 or no tap holes

DRAWING NO: SC90  
05/05



**SOUTHERN CROSS**  
LASER & SHEET METAL

**23-27 Clapham Road  
Regents Park NSW 2143**

**Ph: 02 9644 2811**  
Email [office@sclaser.org](mailto:office@sclaser.org)