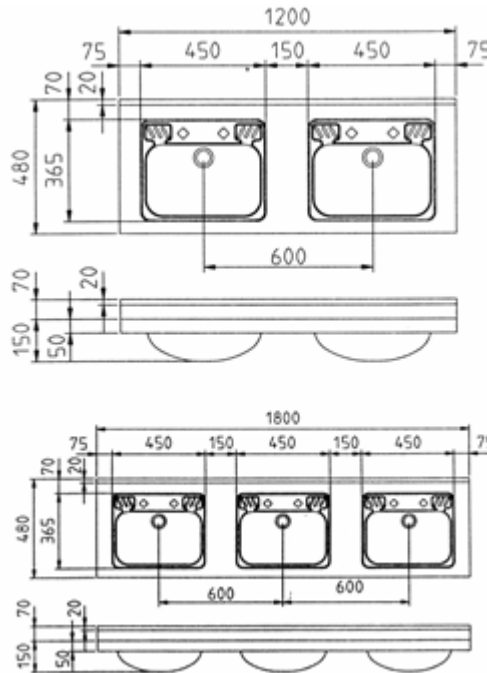


VANITY UNITS

MODEL NO: STVB
PRODUCT CODE: WB3012 & WB3018

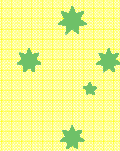


- 304 grade stainless steel
- Heavy duty support brackets available
- Vandal resistant
- Hygienic
- Ideal for public toilets & caravan parks etc
- Available with 0,1,2 or 3 tap holes
- Can be manufactured with up to six basins – 3600mm long

WB3012— Two basin unit—1200mm long

WB3018— Three basin unit—1800mm long

BR1450— Support brackets



SOUTHERN CROSS
LASER & SHEET METAL

**23-27 Clapham Road
Regents Park NSW 2143**

Ph: 02 9644 2811
Email office@sclaser.org