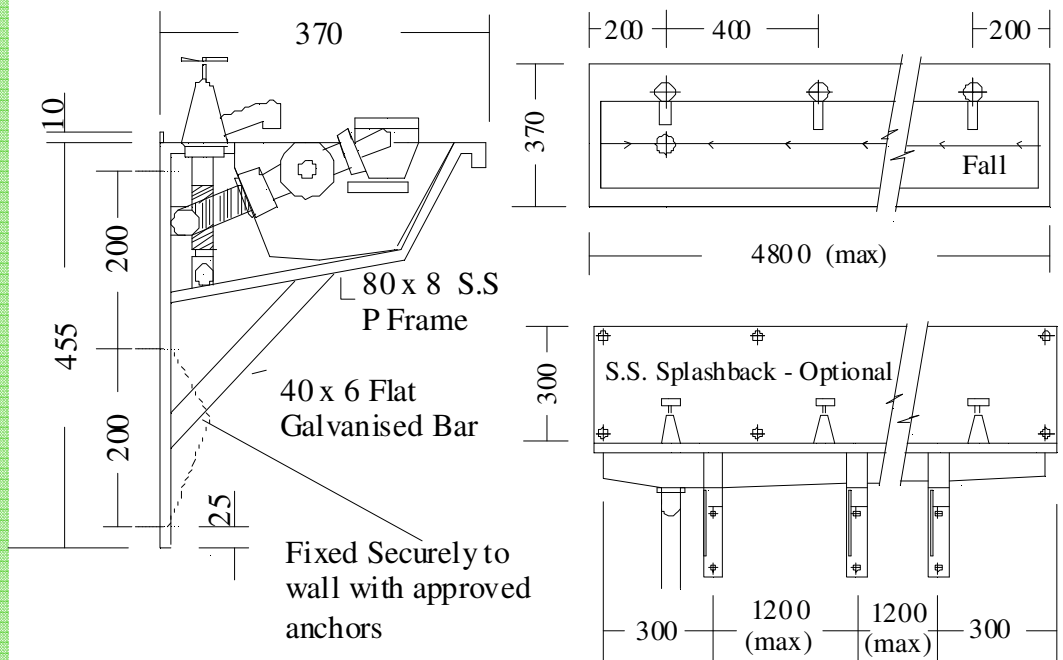


# P.W.D. WALLSEND PATTERN WASH—DRINKING TROUGH

**MODEL NO: STW/DT**

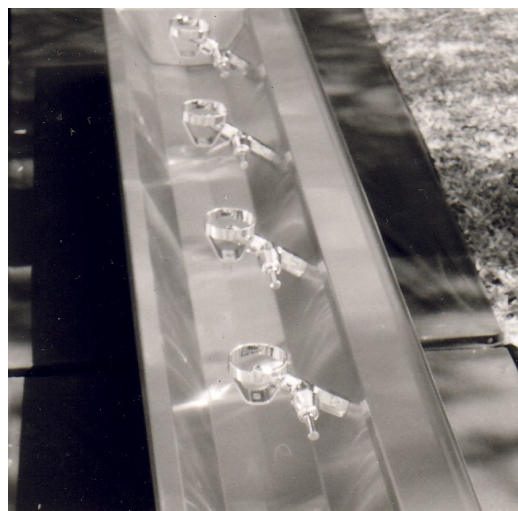
**Fabricated from gauge 1.2mm type 304 satin finish stainless steel with a 50mm standard outlet positioned at either the left or right hand end. Supported by mild steel cantilever wall brackets 80 x 8 S.S**



BR146—Bracket for wallsend wash trough

TE5507—Type 63F bubblers

ET5502—Type 48 pillar cock



**DRAWING NO: SC32**  
04/05

**SOUTHERN CROSS**  
LASER & SHEET METAL

**23-27 Clapham Road**  
**Regents Park NSW 2143**

**Ph: 02 9644 2811**  
Email [office@sclaser.org](mailto:office@sclaser.org)