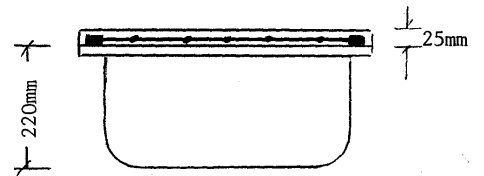
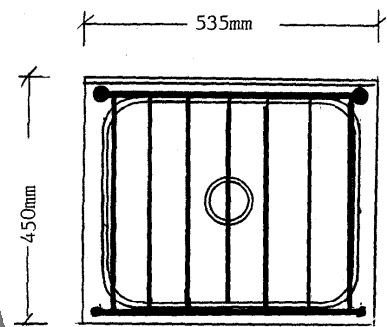


CLEANERS SINK

MODEL NO: STCS
PRODUCT CODE: CS4000

535mm x 450mm x 220mm deep type 304 polish finish stainless steel with 25mm high rear upstand, hinged bucket grate and 50mm waste outlet.



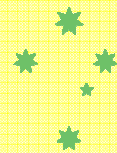
suitable for use in all commercial buildings, schools, colleges, hospitals and nursing homes.

Available with:-

BRI440—Pair of mild steel plated angle wall support brackets.

Or optional

BRI441—32mm square stainless steel adjustable support legs, measuring 450mm high from floor to rim.



SOUTHERN CROSS
LASER & SHEET METAL

23-27 Clapham Road
Regents Park NSW 2143

Ph: 02 9644 2811
Email office@scslaser.org