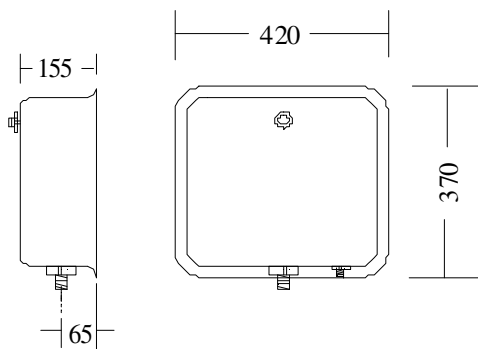


# CISTERN — PUSH BUTTON

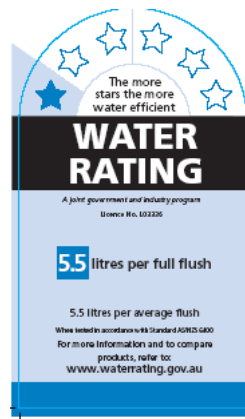
MODEL NO: STCI  
 PRODUCT CODE: CII208, CII209, CII121

Our comprehensive range of cisterns are manufactured in grade 304 satin finish stainless steel, fully pressed bodies with vandal proof covers. Two keyhole rear slots allow ease of wall fixing. Each type of cistern is fitted with the appropriate non-corrosive P.V.C. and nylon flushing inlet valves.



Product Code	Product
CII208	Low Level 6L
CII209	Mid Level 6L
CII121	Concealed 6L

- Front push button for low or mid level operation.
- Low Level 50mm diameter flushpipe
- Mid Level 38mm diameter flushpipe
- 304 grade stainless steel,
- Polished finish
- 25mm outlet
- 12mm inlet right hand side
- Corrosion resistant mechanism
- Internal overflow



WELS registration number L0336

  
**SOUTHERN CROSS**  
 LASER & SHEET METAL

**23-27 Clapham Road**  
**Regents Park NSW 2143**

**Ph: 02 9644 2811**  
**Email [office@sclaser.org](mailto:office@sclaser.org)**